



How much does the polar bear weigh?

Show your method

kg

2 marks

**3.** Here are four masses.

2  
kilograms

1  
tonne

800  
grams

$\frac{1}{2}$   
kilogram

Write the masses in order, starting with the lightest.

lightest

1 mark

4.

Circle the approximate measurement.

The length of a banana is about ...

2 cm    20 cm    2 mm    2 m    20 m

The mass of an apple is about ...

2 g    20 kg    200 kg    200 g    2 kg

A glass of fruit juice is about ...

2 ml    2 l    20 ml    200 ml    20 l

2 marks

5.

Katie's glass holds a **quarter of a litre** when it is full.

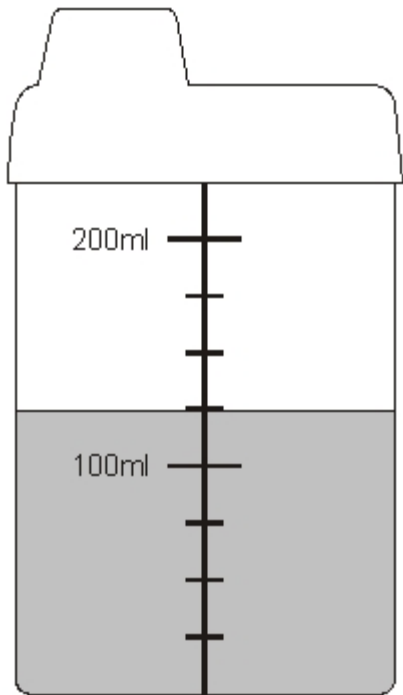


She nearly fills it to the top with juice.



7.

Here is a baby's drinking cup.



How many millilitres of water are in the cup?

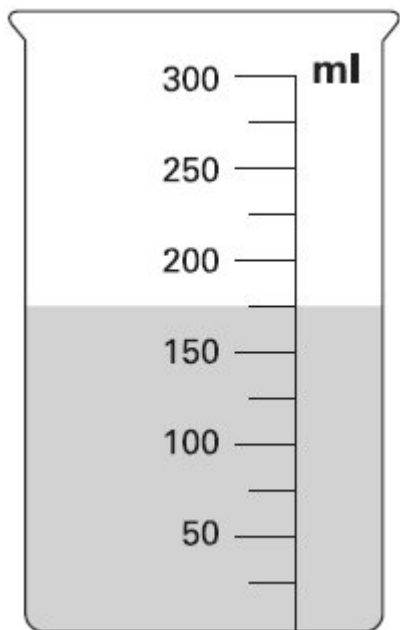
 ml

1 mark



9.

David puts this amount of water in a container.



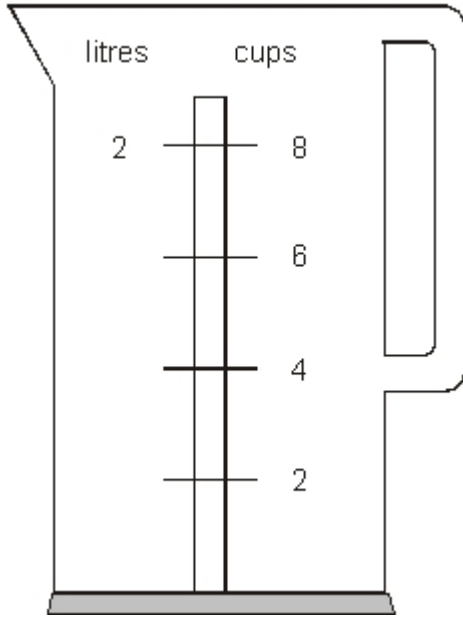
Then he pours **50 millilitres** of the water out.

How much water is left in the container?

1 mark

10.

Nisha's kettle holds 2 litres of water.



How many millilitres are equal to 1 cup?

1 mark



11.

Megan wants to fill a bucket with water.

A bucket holds 6 litres.

A jug holds 500 millilitres.

How many jugs of water does Megan need to fill an empty bucket?

Show your method

2 marks

12.

A machine pours 250 millilitres of juice every 4 seconds.

How many **litres** of juice does the machine pour every **minute**?

Show your method

2 marks



14.

A bottle contains 568 millilitres of milk.

Jack pours out **half a litre**.



How much milk is left?

1 mark